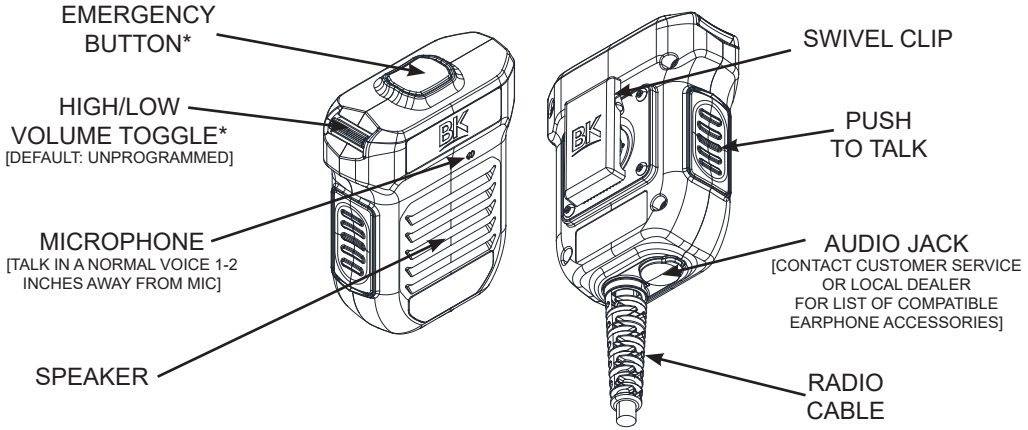




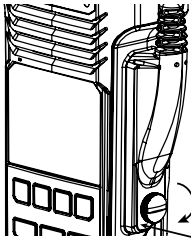
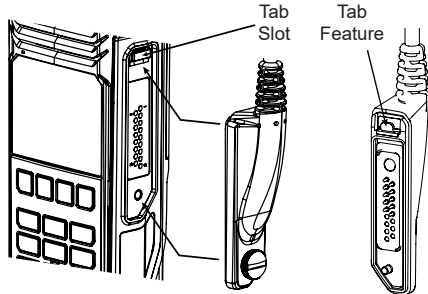
# BKR0204 Radio Speaker Microphone User Instructions



\*Button functions can be customized in the Radio Editing Software (RES).  
See page 2 for details.

## CONNECTING THE RSM TO THE RADIO:

1. Insert the 'tab' feature of the connector with the 'tab' slot on the radio. Connector should make tight, precise fit with the radio.

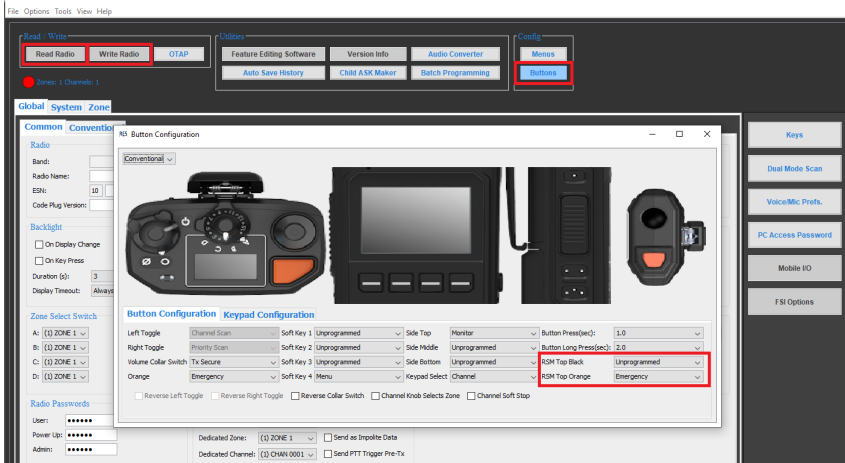


2. While applying pressure to the bottom of the connector, the locking screw should align and easily tighten against the radio. Make sure the seal does not get pinched on the edges during attachment. (The use of a screwdriver or coin during tightening is discouraged. Over-tightening could possibly damage the side connector.)

Apply pressure to bottom  
when tightening

## CUSTOMIZING BUTTON FUNCTIONS:

1. With the radio connected to the PC, open BKR0733 Radio Editing Software (RES).
2. Select 'Read Radio' from the 'Read / Write' menu.
3. Select 'Buttons' from the 'Config' menu.
4. Locate the 'RSM Top Black' and 'RSM Top Orange' button selections.
5. Using the drop-down menus, select the intended function for each button.
6. After the selections are final, select 'Write Radio' from the 'Read / Write' menu.



BK Technologies  
7100 Technology Drive  
West Melbourne, FL 32904  
1-800-648-0947  
www.bktechnologies.com

©2022 BK Technologies