

KAA0661 Installation and Removal

Installation:

Line the radio knobs up with the openings inside the cover. Slide the cover over the front of the radio until the tabs click into the side channels of the radio. (See Figure 1.)

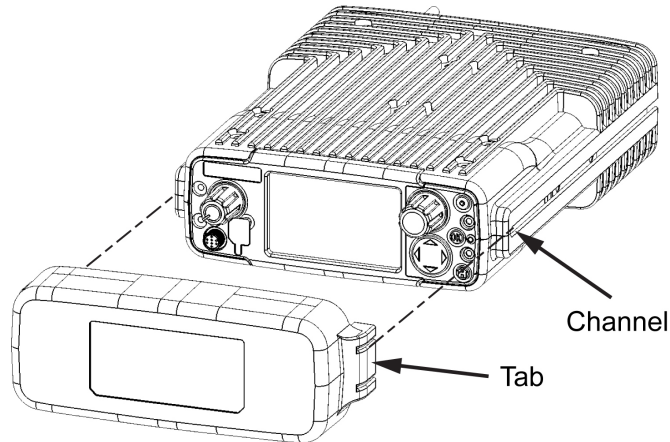


Figure 1

Removal:

IMPORTANT: Angling the cover during removal could damage the radio knobs. Release both tabs before removing the cover.

Use a flat blade screw driver to pry up the tab while gently pushing toward the front of the radio. (See Figure 2.)

When the tab pops free do not continue pushing the cover, perform the same action on the other tab. When both tabs are free pull the cover straight off the radio.



Figure 2