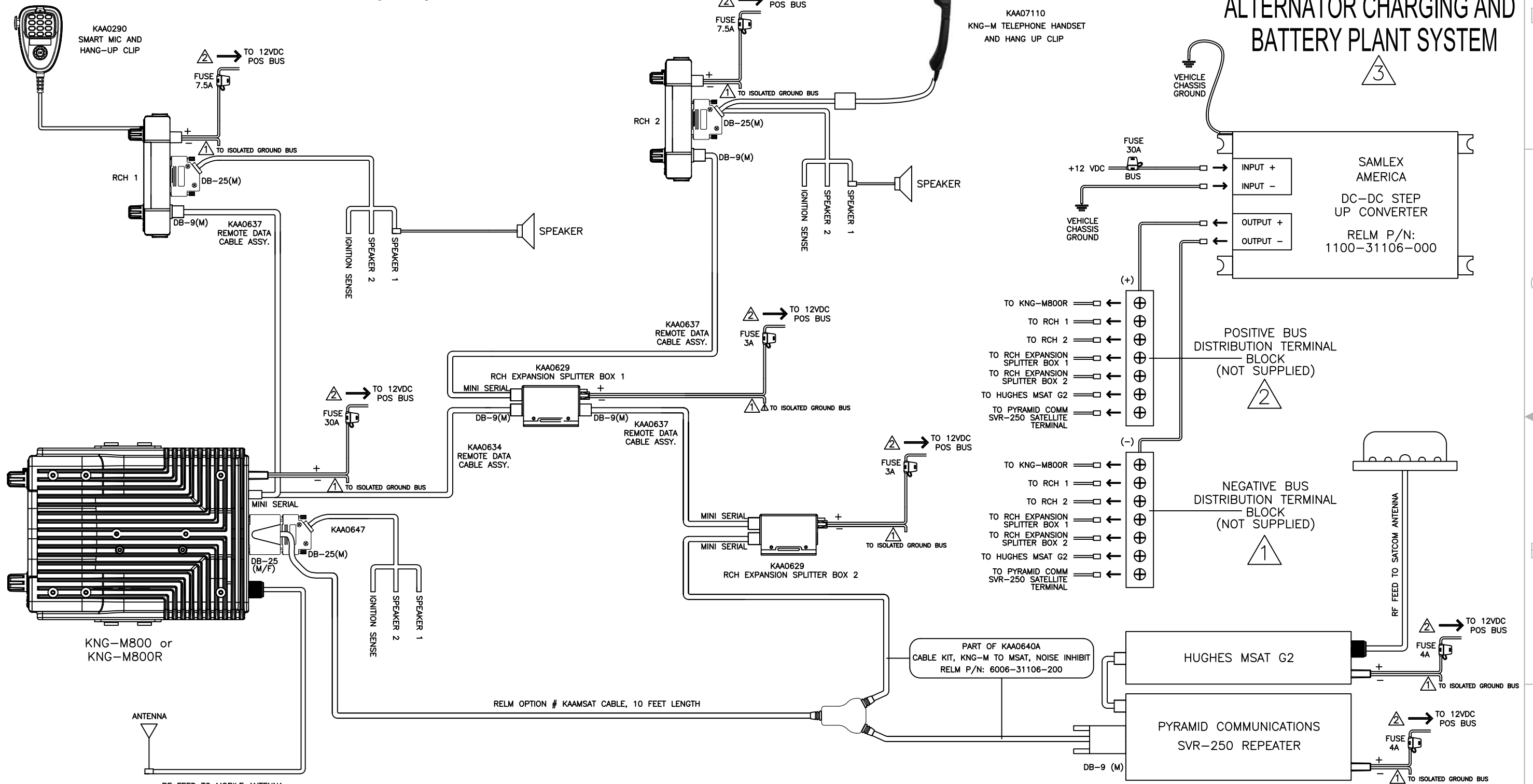


AHS AMBULANCE FRONT CAB

AHS AMBULANCE REAR PARAMEDIC STATION

AHS AMBULANCE ALTERNATOR CHARGING AND BATTERY PLANT SYSTEM



NOTE:

- ⚠️ TO ISOLATED GROUND TERMINAL OF DC OUTPUT DISTRIBUTION BLOCK FROM DC-DC STEPUP CONVERTER, RELM P/N: 1100-31106-000.
- ⚠️ TO ISOLATED +12 VDC TERMINAL OF OUTPUT DISTRIBUTION BLOCK FROM DC-DC STEPUP CONVERTER, RELM P/N: 1100-31106-000.
- ⚠️ FROM AHS AMBULANCE ENGINE/ALTERNATOR CHARGING AND BATTERY PLANT SYSTEM.

<small>THIS DRAWING IS PROPERTY OF BK TECHNOLOGIES AND SHALL NOT BE REPRODUCED, COPIED OR USED AS THE BASIS FOR MANUFACTURE OR SALE OF PRODUCTS WITHOUT PERMISSION. UNLESS OTHERWISE SPECIFIED DIMENSIONS ARE IN INCHES AND INCLUDE APPLIED FINISH TOLERANCES.</small>		BK TECHNOLOGIES WEST MELBOURNE, FL. 32904	
<small>TOLERANCES 2 PLACE DIM. 3 PLACE DIM. ANGLES ±.02 ±.005 ±1/2° SCREW THREADS-AMERICAN NATIONAL CLASS CLASS-</small>		TITLE: AHS AMBULANCE KNG-M800 WITH PYRAMID SATELLITE LINK NOISE INHIBIT SYSTEM LAYOUT USING OPTION KAA0640A	
<small>THIRD ANGLE PROJECTION</small>		DRAWING NO.: 7005-31106-501	
<small>SCALE:</small> NTS		SHEET: 1 OF 1	