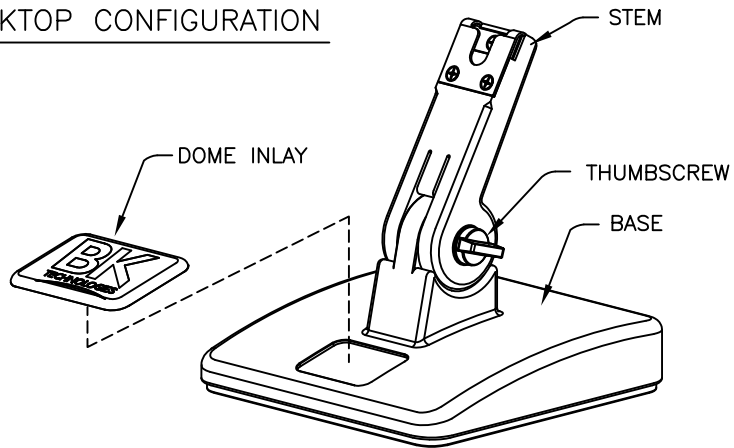


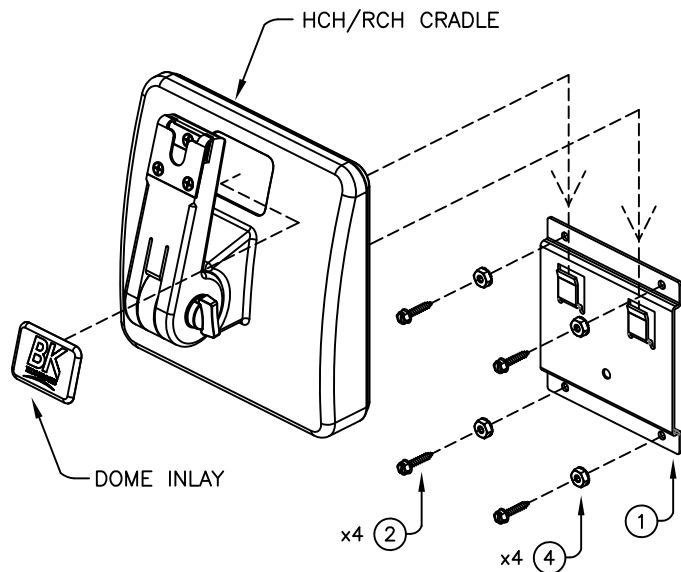
KAA0628

Cradle, Desktop, HCH/RCH Interface, KNG-M/B

DESKTOP CONFIGURATION



WALL-MOUNT CONFIGURATION



FOR WALL-MOUNT CONFIGURATION ONLY

BOM : 7011-31093-600
Kit, Bracket, Wall-Mount, KAA0628

| ITEM | PART NUMBER | DESCRIPTION | REMARKS |
|------|----------------|---|---------|
| 1 | 2525-31093-600 | Bracket, Mounting, Cradle, HCH/RCH | QTY. 4 |
| 2 | 2807-30298-007 | Scr, SIMMS, 6-32x1/2, P, PH, ST, CAD/ZN | QTY. 4 |
| 3 | 2809-00625-001 | Scr, AB, #6x5/8, S, BH | QTY. 4 |
| 4 | 2853-30714-401 | Keprnut, 6-32, SS | QTY. 4 |

INSTALLATION INSTRUCTIONS:

NOTE: KAA0628 COMES ASSEMBLED IN DESKTOP CONFIGURATION RIGHT OUT OF THE BOX. FOR WALL-MOUNT CONFIGURATION PLEASE FOLLOW THE 4 STEPS CONVERSION PROCESS BELOW.

1. LOOSEN AND PULL OUT THE THUMBSCREW THEN FLIP THE STEM SUCH THAT THE SCREW HOLE WILL BE ON THE OPPOSITE SIDE OF THE CRADLE BASE. FASTEN BACK THE THUMBSCREW TO SECURE STEM ON THE BASE THEN TURN THE STEM TO THE DESIRED POSITION, SUCH THAT THE STEM WILL BE PARALLEL TO THE BASE. TIGHTEN THE THMUMBSCREW.
2. INSTALL ITEM ① _CRADLE MOUNTING BRACKET ON THE WALL USING ITEM ② 6-32 SCREWS OR ITEM ③ _#6 SCREWS AND ITEM ④ KEPNUTS WHICHEVER ARE APPLICABLE TO THE WALL THE ITEM ① _CRADLE MOUNTING BRACKET IS TO BE INSTALLED.
3. LINE UP THE TWO SQUARE HOLES ON THE BOTTOM PLATE OF THE HCH-RCH CRADLE WITH THE TWO TABS ON ITEM ① _ MOUNTING BRACKET.
4. PUSH THE HCH/RCH CRADLE FIRMLY AGAINST THE MOUNTING BRACKET THEN PULL THE HCH/RCH CRADLE DOWN UNTIL THE THE HCH/RCH CRADLE LATCHES SECURELY IN PLACE.
5. AFFIX THE DOME INLAY INCLUDED IN THE PACKAGE ONTO THE RECESS AREA LOCATED ON THE CRADLE BASE WITH ORIENTATION AS SHOWN ON WALL-MOUNT CONFIGURATION.