

# KAA0619

## Setup Guide

### 1. General

The KAA0619 is an extension cable assembly for dual microphone operation of the KNG-B series radios.

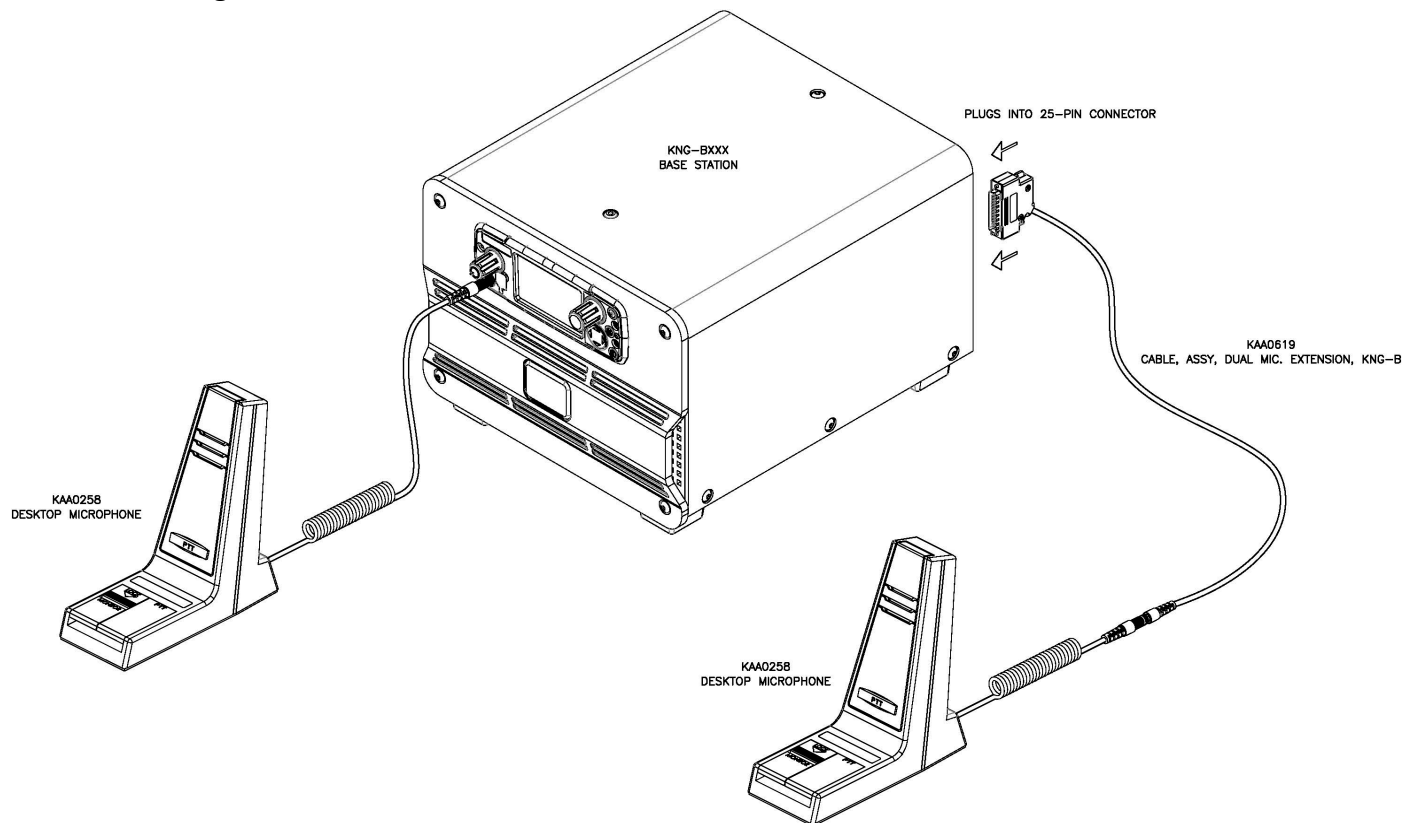


## 2. Radio Setup

- a. The Monitor function of the microphone may be activated.
- b. To activate the monitor function of the microphone, using the radio editor go to Global/Common/Mobile I/O.
- c. Set Input Pin 1 parameters to the following:



## 3. Connection Diagram



## **Technical Service Support - Customer Service**

BK Technologies  
7100 Technology Drive  
Melbourne, FL 32904  
(800) 422-6281  
[www.BKTechnologies.com](http://www.BKTechnologies.com)